

READ ALL INSTRUCTIONS CAREFULLY BEFORE INSTALLATION

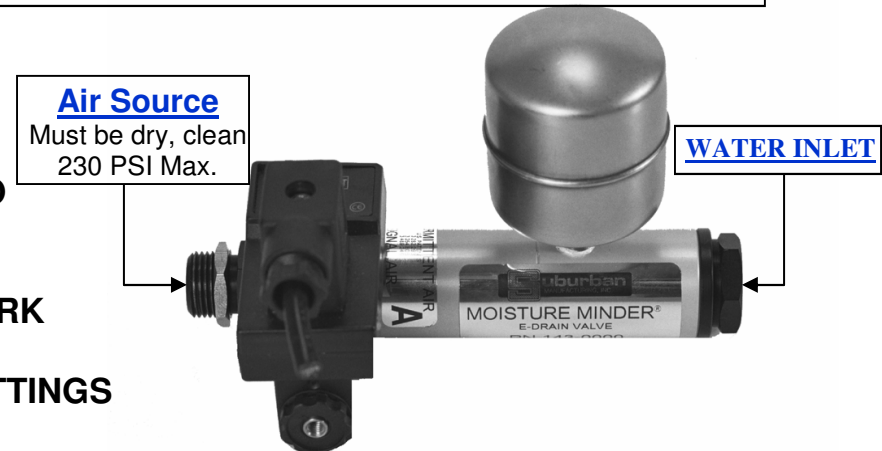
RETAIN FOR FUTURE USE



WARNING: BEFORE SERVICING OR WORKING ON ANY COMPRESSED AIR SYSTEM COMPONENTS, USE MANUFACTURER'S MANDATORY SAFETY SHUT DOWN PROCEDURE FOR ALL COMPONENTS.



1. DISCONNECT ELECTRICAL POWER SUPPLY
2. USE REQUIRED SAFETY LOCKOUT PROCEDURES
3. AIR PRESSURE IN SYSTEM MUST BE BLED DOWN TO ZERO
4. ALWAYS USE THE PRESSURE GAGE TO VERIFY
5. SAFETY GLASSES MUST BE WORN
6. A LICENSED ELECTRICIAN MUST DO ALL ELECTRICAL WORK
7. ALL STATE AND LOCAL CODES MUST BE FOLLOWED
8. TEFLON PIPE SEALANT SHOULD BE USED ON ALL PIPE FITTINGS



1. Drain all water from the receiver tank by opening the manual drain at bottom of tank. Leave this valve open until all air pressure in tank is bled down to zero. IMPORTANT: In older systems that may not have been drained daily as required, there could be debris clogging the manual drain, verify that there is no pressure in system before any further work is done.

MOUNTING THE STRAINER ASSEMBLY: Install the street elbow in the bottom of the tank, connect the long nipple and the strainer ball valve assembly as shown in fig #1. The ball valve will allow for manual draining and periodic cleaning of the internal screen in the strainer.

MOUNTING THE DRAIN VALVE: It is recommended to use the optional mounting bracket (sold separately) to mount directly to the air line piping by securing with the u-bolt, this is the easiest method and should locate the valve and timer higher than 18" which is required for some electrical code specifications. Another mounting option is to mount the valve to a wall or compressor motor plate which can be done by securing with bolts or with wall anchors.

Install the push in fitting in the 1/4" NPT port on the front of the drain valve then mount the drain valve to the bracket and secure with 3/4" jam nut. The valve should be mounted high enough to slide a bucket underneath to catch the condensate. Remove the pressure gage and install the 1/4" street tee to the tank, install push in fitting as shown in fig. # 3, and replace the pressure gage. Use the 1/4" tubing and run a line from the gage tee to the push in fitting on the [air source](#) port on drain valve. This line will supply air pressure to the valve to make it work. Lastly, install the 90-degree push in fitting to the [water inlet](#) side of drain valve and connect the 1/4" tubing to the side port on the strainer.

Plug in the drain to 115 volt grounded outlet, set timer on valve for drain interval (average setting 5-minute cycle). The drain valve will only work when there is pressure in receiver tank. A bucket may be placed under the drain to catch the water or a drain tube can be installed in the 1/8" NPT port on

Our engineers are available to assist you with any installation questions during normal working hours,
Central Standard Time, at 1-800-782-5752 or (763)295-5635

Suburban Manufacturing Inc. believes the information presented here to be accurate. Suburban Manufacturing Inc. shall not be held liable for damage or problems caused by possible design changes by the equipment manufacturer or customer-modifications of the equipment prior to the installation of this device. Liability limited to repair or replacement of the Moisture Minder unit.

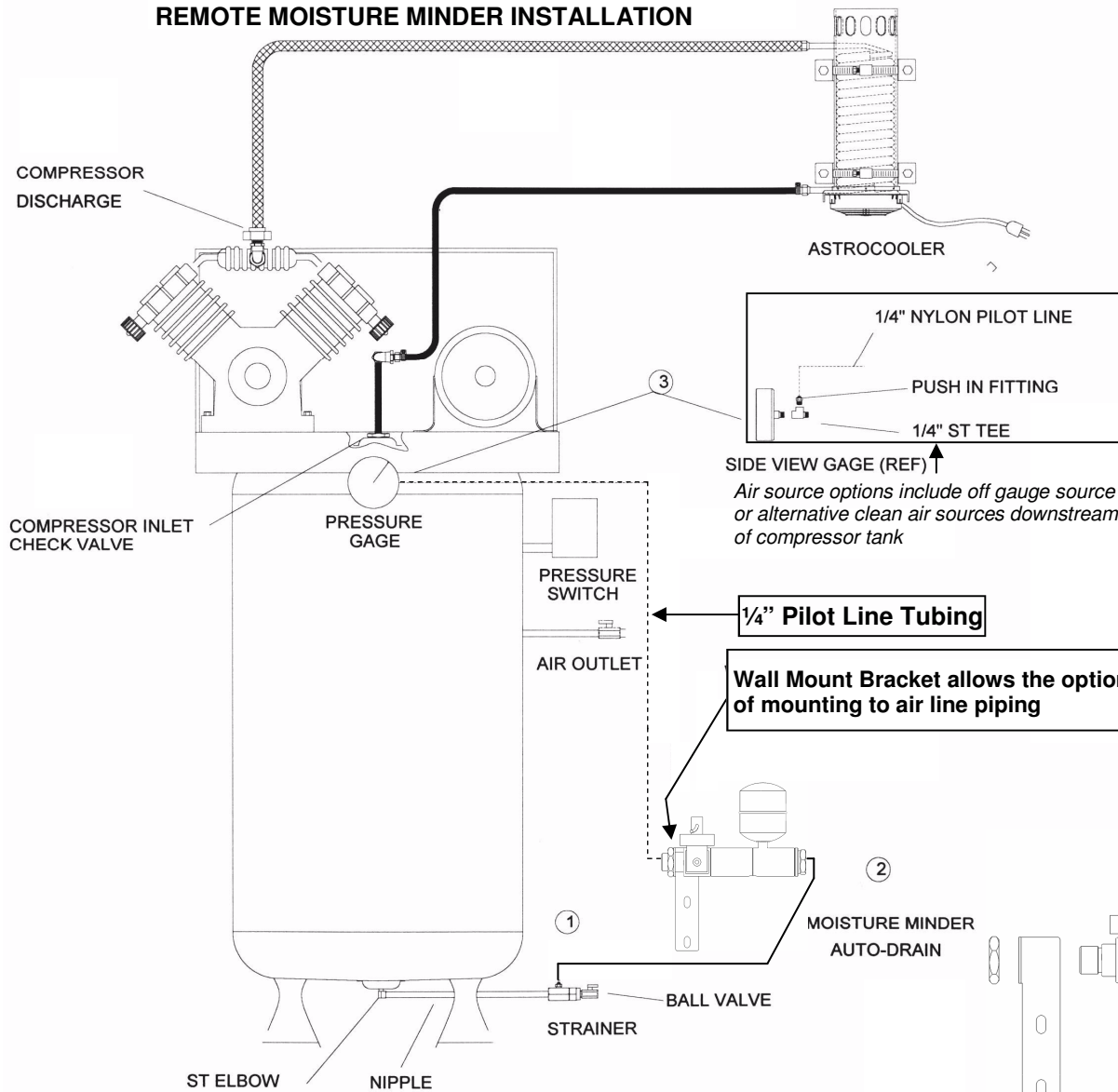
INSTALLATION INSTRUCTIONS FOR MOISTURE MINDER E-DRAIN VALVE



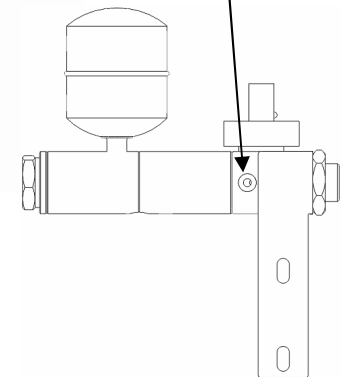
Installation Instructions shown with **OPTIONAL** Deluxe Mounting Kit P/N 21999-0317



REMOTE MOISTURE MINDER INSTALLATION



The Moisture Minder E-Drain also has a secondary pilot signal port which can be used to operate up to five additional Moisture Minder automatic piston drains.



Our engineers are available to assist you with any installation questions during normal working hours, Central Standard Time, at 1-800-782-5752 or (763)295-5635

Suburban Manufacturing Inc. believes the information presented here to be accurate. Suburban Manufacturing Inc. shall not be held liable for damage or problems caused by possible design changes by the equipment manufacturer or customer-modifications of the equipment prior to the installation of this device. Liability limited to repair or replacement of the Moisture Minder unit.